



## ASSEMBLY INSTRUCTION

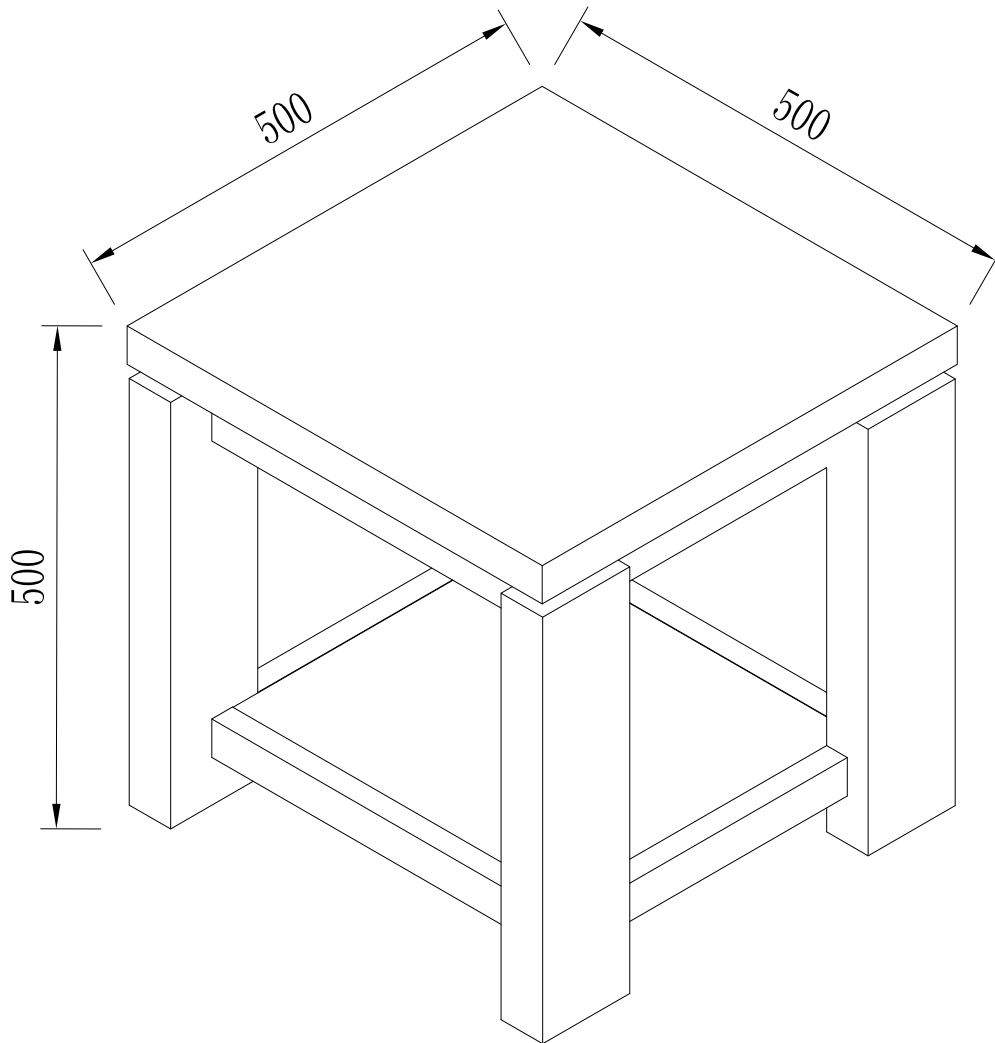
**JORDANN Lamp Table**

**ITEM CODE 74779**

Imported by Amart Furniture Pty Ltd. Qld. Brisbane Australia.

For any assistance with assembly or for missing parts please phone

Amart Furniture, Customer Service Free call 1800 351 084



Imported by Amart Furniture Pty Ltd. Qld. Brisbane Australia.

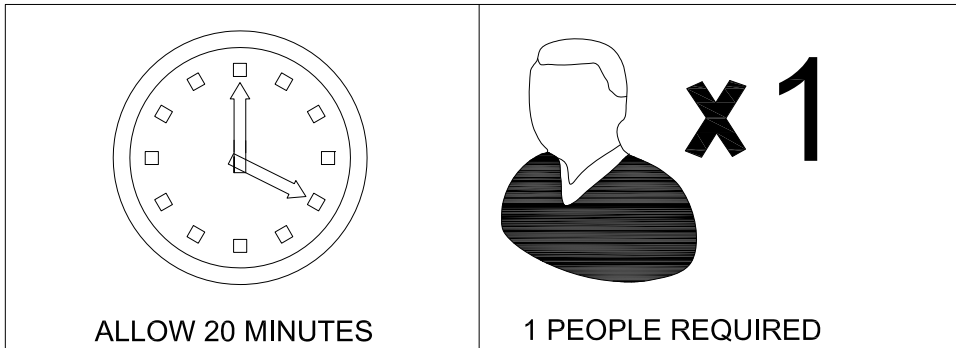
For any assistance with assembly or for missing parts please phone Amart Furniture  
Customer Service Free call 1800 351 084

**74779**

# PRE-ASSEMBLY PREPARATION

## Before you start:

1. Choose a clean, level, spacious assembly area. Avoid hard surfaces that may damage the product
2. Take care when lifting. Product should be assembled as near as possible to the point of use
3. Ensure that you have all required contents for complete assembly.
4. Always read the assembly instructions carefully before beginning assembly.
5. Keep all hardware parts and packaging out of reach of small children.
6. Do not over tighten the screws and bolts as this may damage the threads



# CAM Lock and Pins

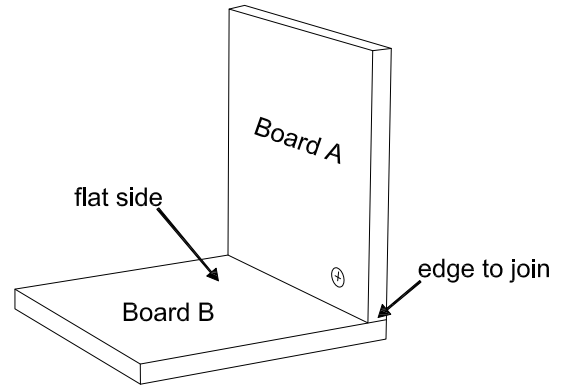
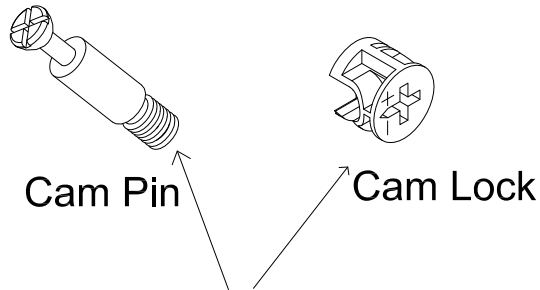
## step 1

### HOW TO USE CAM LOCK FASTENERS

To assemble this product hardware called Cam Lock Fasteners are used.

The below is information on how these work.

Cam Locks are fasteners used to join two boards together, usually the edge of one board(A) to the flat side of another board(B)



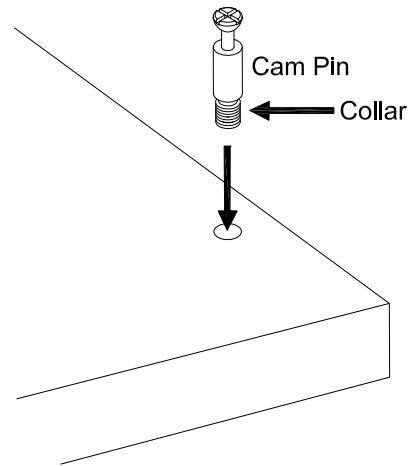
Ensure that you use the correct images that are representative of the hardware used in the product

## step 2

### To use Cam Lock Fasteners

The Cam Pin is inserted into the flat side of a board, it is important that:

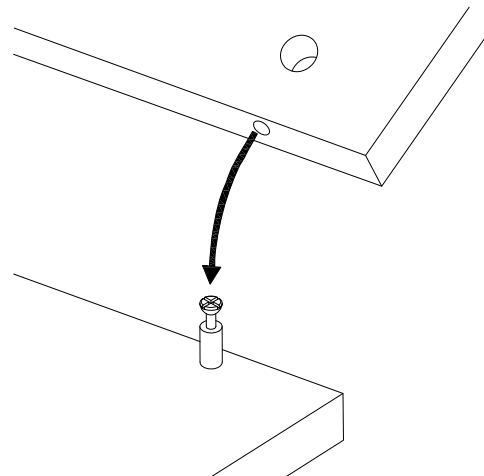
- \* The cam pin is kept vertical and is not put in on an angle
- \* Cam Pin is inserted up to the collar
  - \* Too far and it wont catch the Cam Lock (Do not Over Tighten)
  - \* Not enough and the resulting product wont be stable



## step 3

### To use Cam Lock Fasteners

Now fit the hole in the edge of the joining board over the Cam Pin

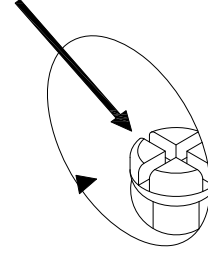


## step 4

### To use Cam Lock Fasteners

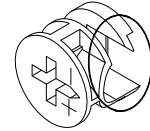
The Head of the Cam Pin will be visible in the large hole on the side of the joining board

head of the Cam Pin



### To use Cam Lock Fasteners

Notice the Cam Lock has a "C" Shaped back An Arrow or +/- signs on the front, indicated the open section on the back of the Cam Pin



Cam Lock

## step 5

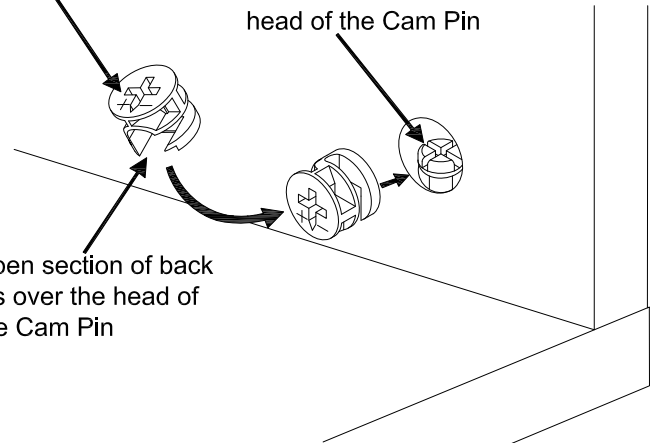
### To use Cam Lock Fasteners

In sert the Cam Lock into the large hole so the opening of the "C" fits over the head of the Cam Pin. You must ensure that the Cam Lock is pushed to the bottom of the hole to catch the top of the Cam Pin

Arrow or +/- signs

head of the Cam Pin

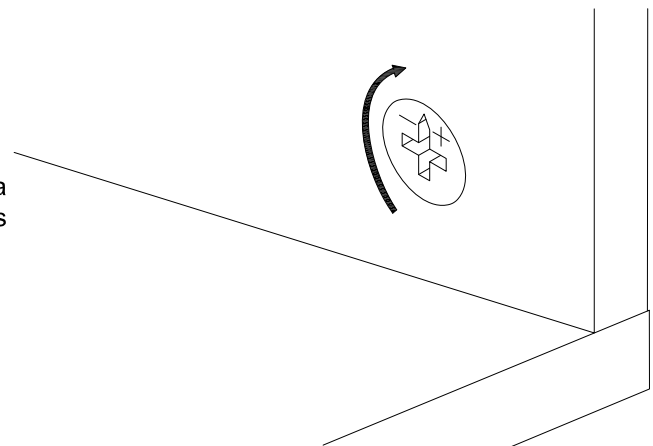
Open section of back fits over the head of the Cam Pin



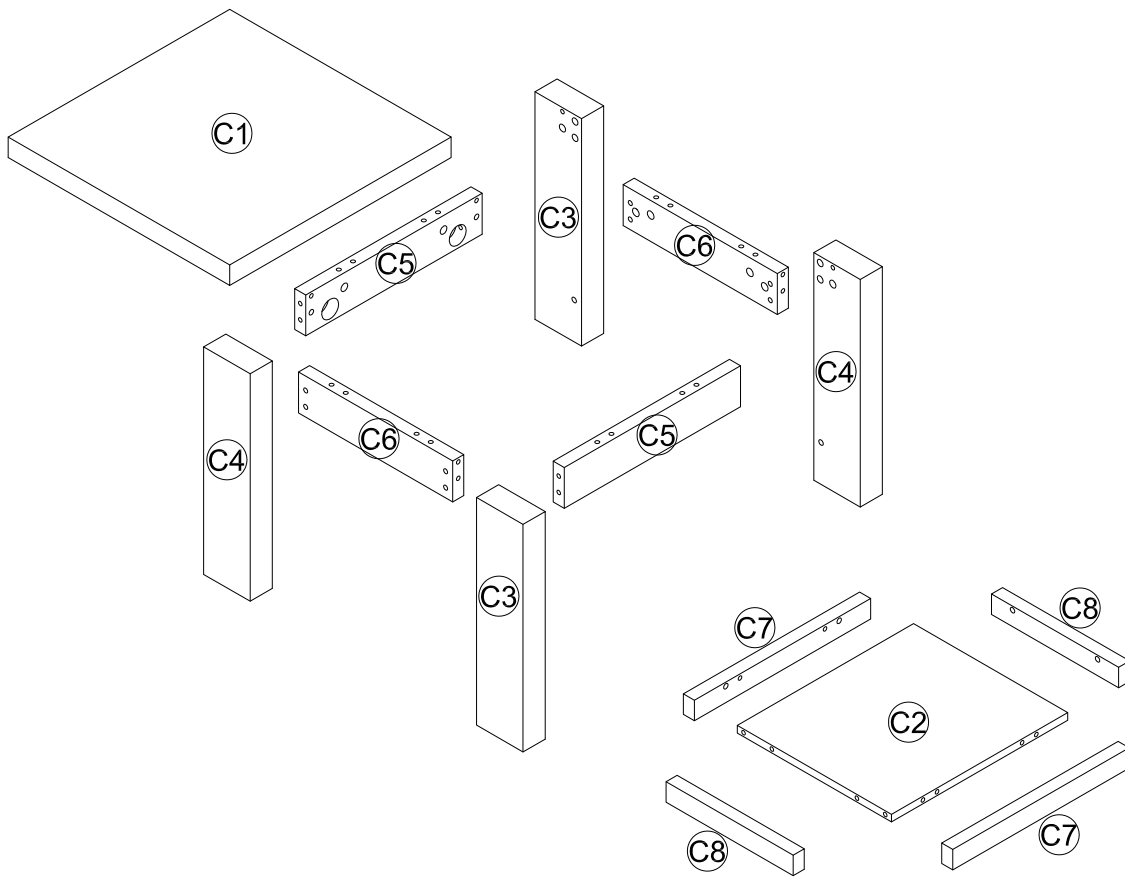
## step 6

### To use Cam Lock Fasteners

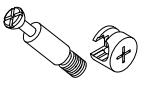
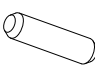

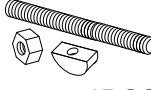
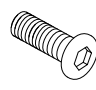


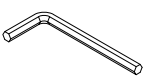
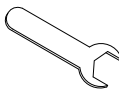

Use a flat screwdriver to turn the Cam Lock clockwise one half a turn so it Locks onto the head of the Cam Pin. Turn only until it is snug-over-tightening could cause the Cam to bend or break. If it will not turn the full amount, turn the Cam Pin out (counter-clockwise) one full turn, and try the Cam Lock again.



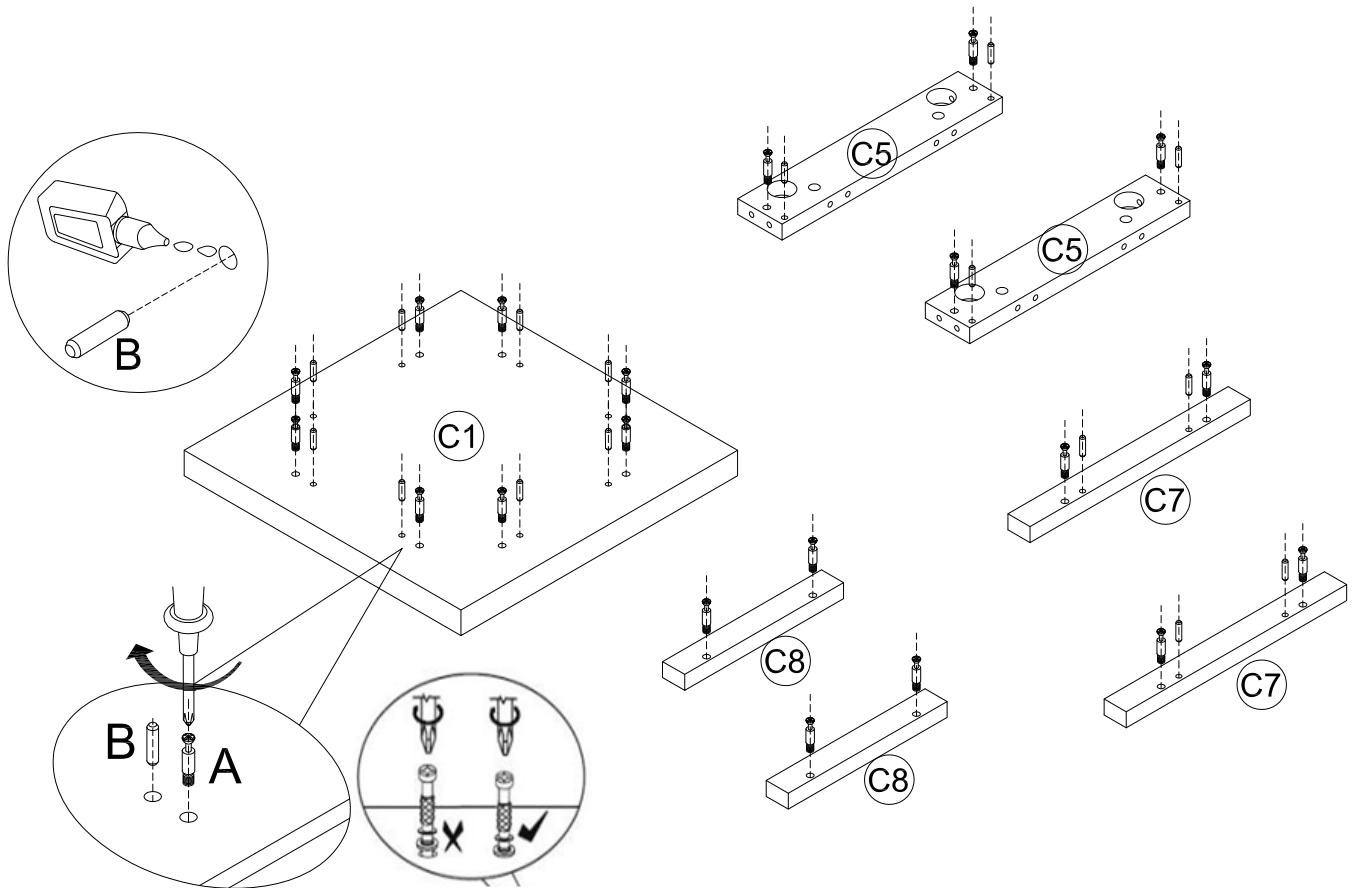
# PARTS LIST



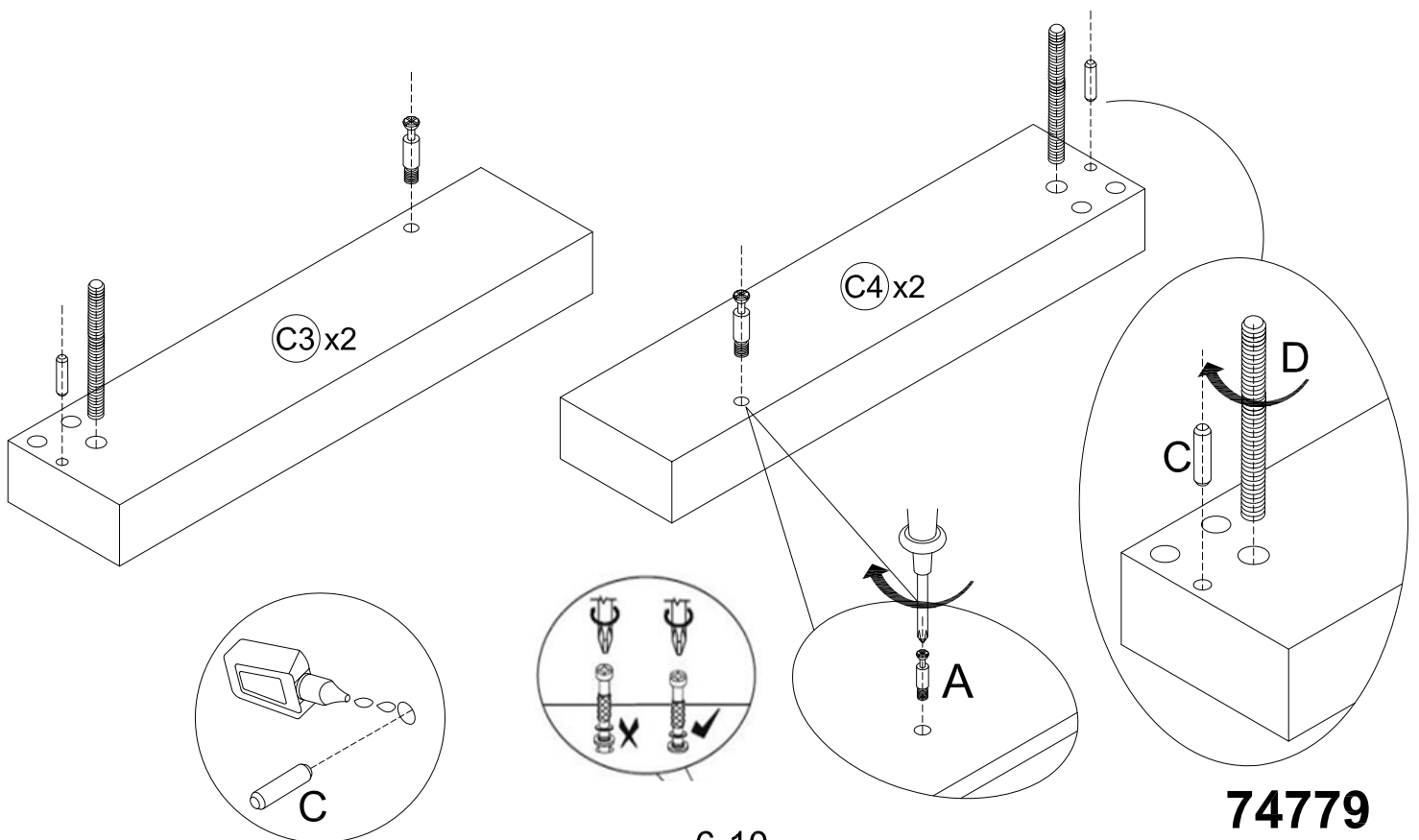
C1	Top Panel	C5	Connect Panel
C2	Bottom Panel	C6	Connect Panel
C3	Leg	C7	Bottom Rail
C4	Leg	C8	Bottom Rail

<input type="checkbox"/> A.Cam Lock and Cam pin Ø15X35  24PCS	<input type="checkbox"/> B.Dowel Ø8X30  16PCS	<input type="checkbox"/> C.Dowel Ø8X40  4PCS	<input type="checkbox"/> D.Bolt M8x85  4PCS	<input type="checkbox"/> E.Bolt M6x45  8PCS	<input type="checkbox"/> F.Washer  8PCS	<input type="checkbox"/> G.Protect foam Ø35X5mm  8PCS
<input type="checkbox"/> H.Hex key M4  1PCE	<input type="checkbox"/> I.Wrench M14  1PCE	<input type="checkbox"/> J.Glue  1PCE				

**STEP 1: Insert the Dowel(B)to the Top Panel(C1)and Connect Panel(C6)and Bottom Rail(C7,C8). Use a Phillips Head Screwdriver to insert the Cam Pin(A) to the Top Panel(C1) and Connect Panel(C6)and Bottom Rail(C7,C8).**

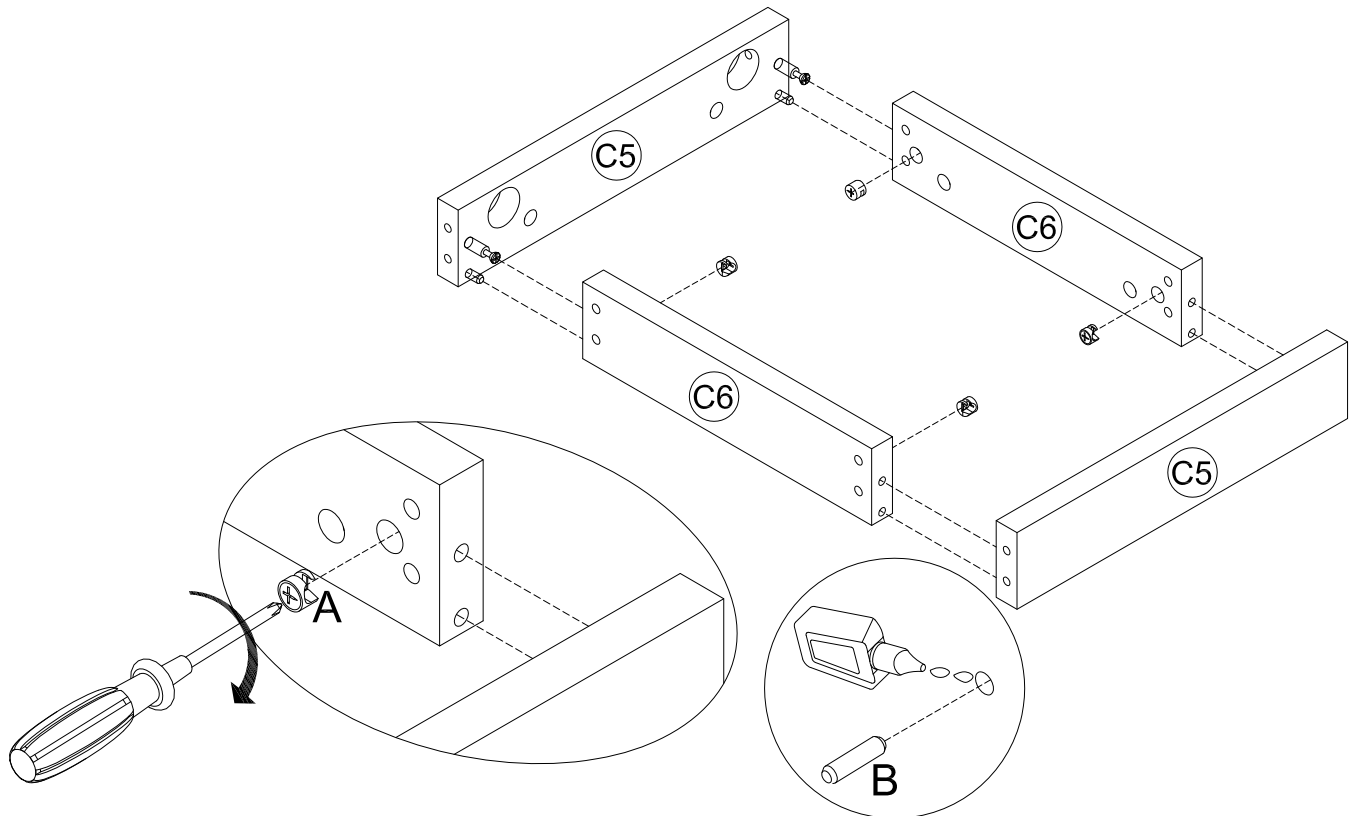


**STEP 2: Insert the Dowel(C) and Bolt(D)to the Leg(C3,C4).Use a Phillips Head Screwdriver to insert the Cam Pin(A) to Leg(C3,C4).**

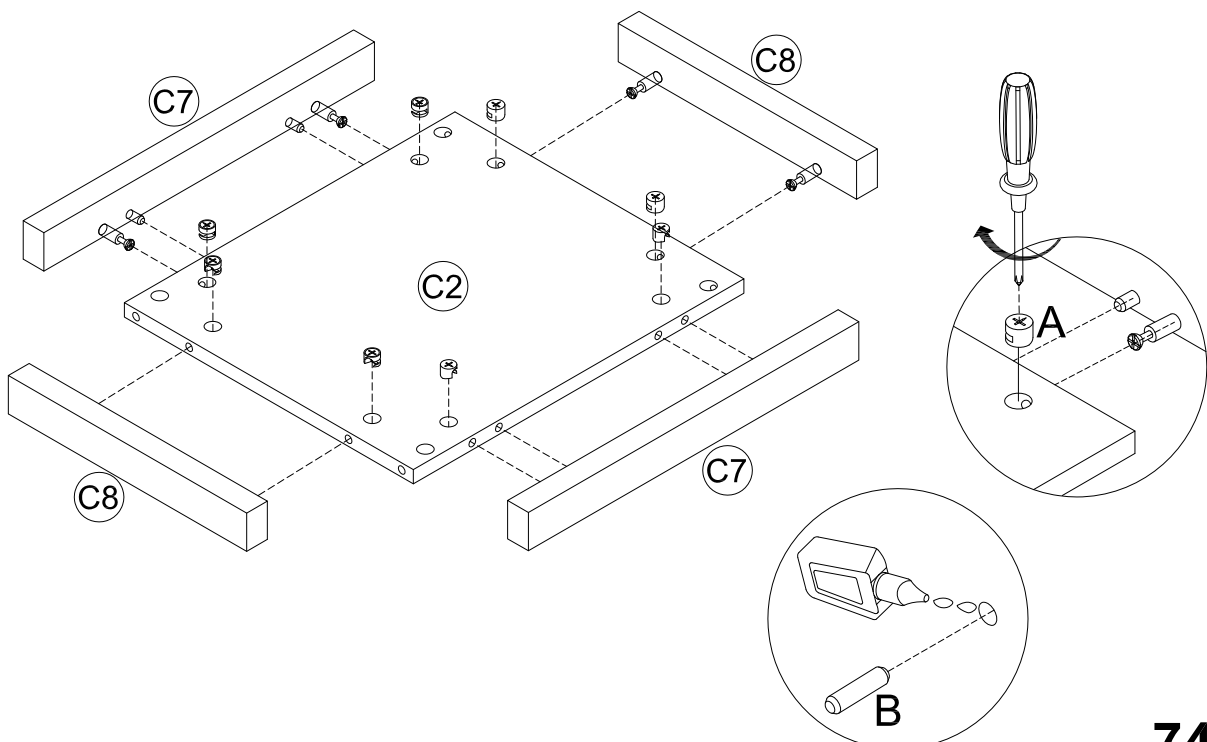


**74779**

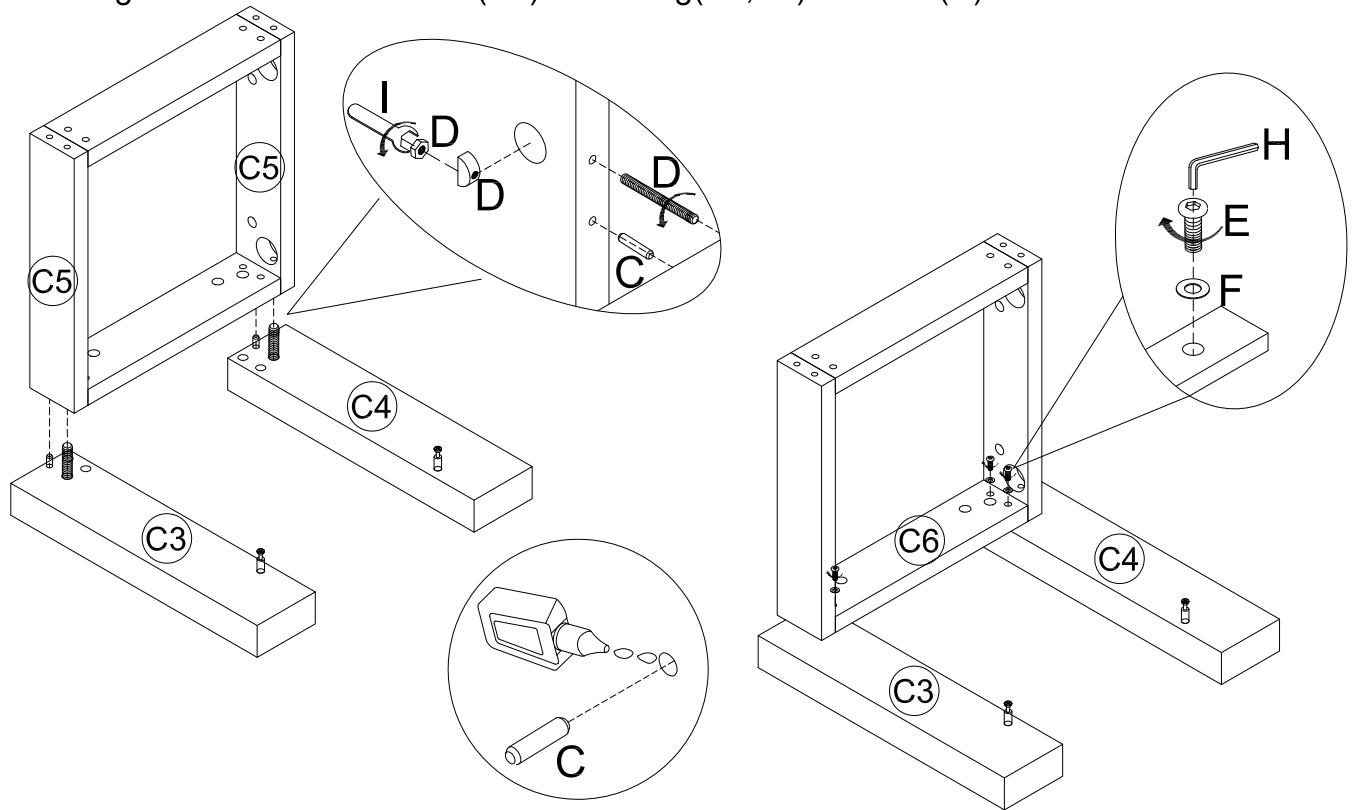
**STEP 3:** Use a Phillips Head Screwdriver to insert the Cam Pin(A) to the Connect Panel (C6). Attach the Connect Panel(C5) to the Connect Panel(C6).Use a Phillips Head Screwdriver to turn the Cam Lock (A) to lock into the head of the Cam Pin(A).



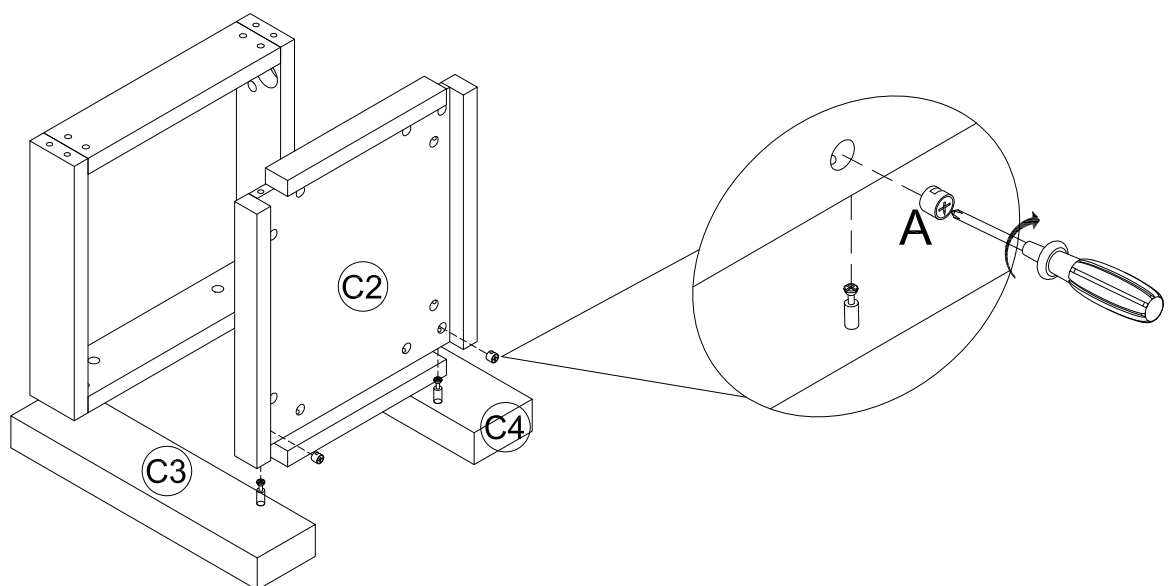
**STEP 4:** Insert the Dowel(B)to the Bottom Rail(C7) Use a Phillips Head Screwdriver to insert the Cam Pin(A) to the Bottom Rail(C7,C8).Attach the Bottom Rail(C7,C8) to the Bottom Panel(C2).Use a Phillips Head Screwdriver to turn the Cam Lock (A) to lock into the head of the Cam Pin(A).



STEP 5: Use a Phillips Head Screwdriver to insert the Cam Pin(A) and Bolt(D) into Legs(C3,C4) Insert the Dowel(C)to the Leg(C3,C4).Use Hex Key(H) to tighten the Connect Panel(C6) to the Leg(C3,C4) with Bolt(E,F).Use Wrench(I) to tighten the Connect Panel(C5) to the Leg(C3,C4) with Bolt(D).

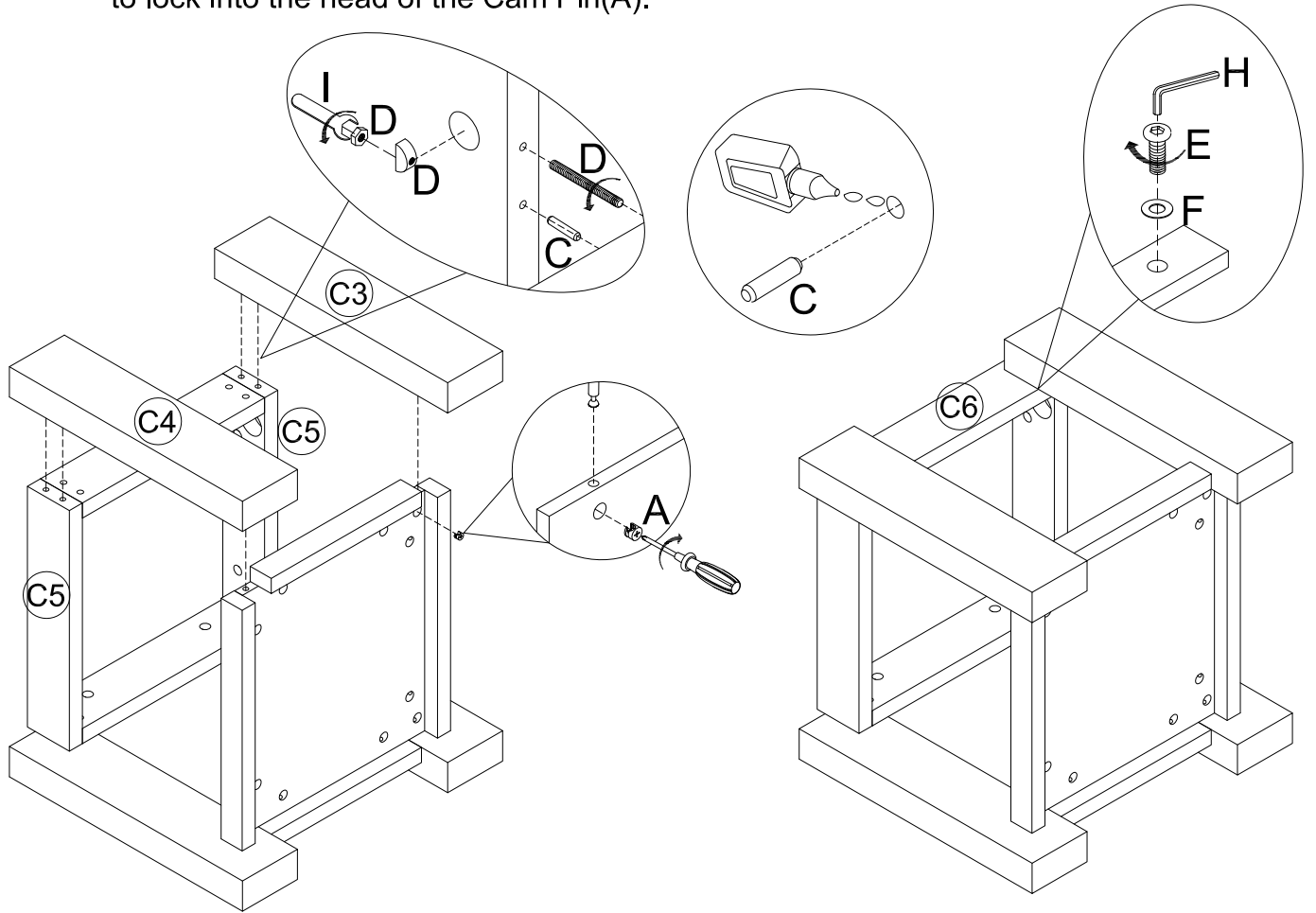


STEP 6: Attach the Bottom Panel(C2) and Bottom Rail(C7,C8) to the Leg(C3,C4). Use a Phillips Head Screwdriver to turn the Cam Lock (A) to lock into the head of the Cam Pin(A).

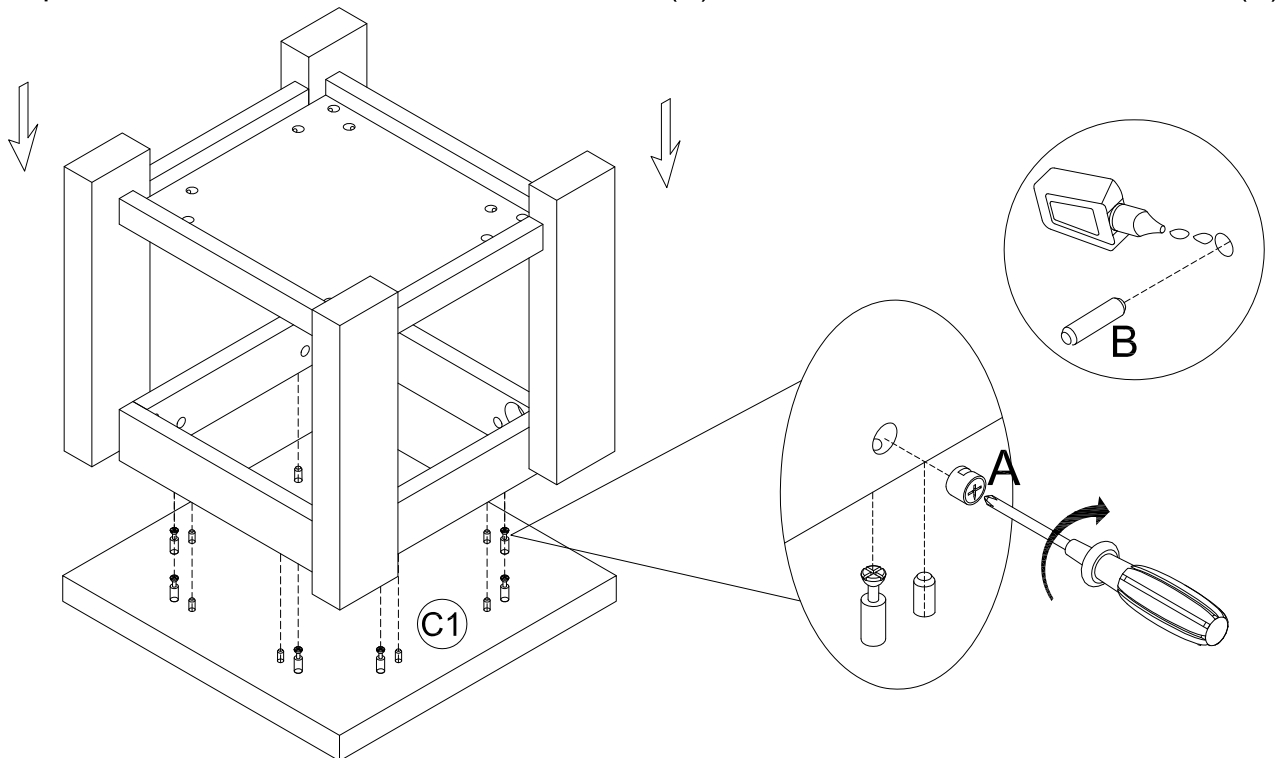




**STEP 7:** Use Wrench(I) to tighten the Leg(C3,C4) to the Connect Panel(C5) with Bolt(D).  
 Use Hex Key(H) to tighten the Connect Panel(C6) to the Leg(C3,C4) with Bolt(E&F).  
 Use a Phillips Head Screwdriver to turn the Cam Lock (A)  
 to lock into the head of the Cam Pin(A).

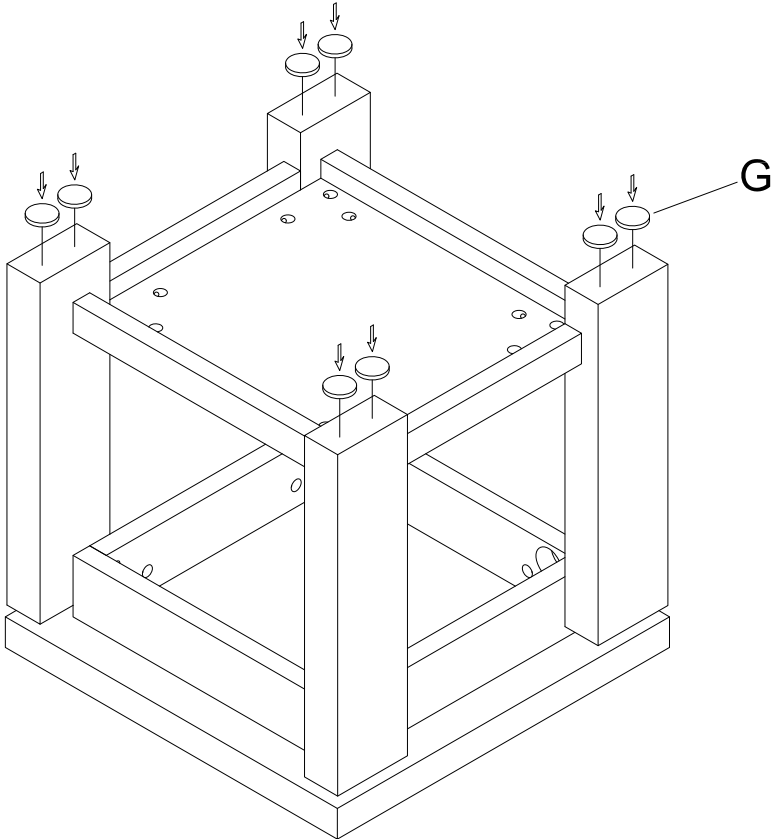


**STEP 8:** Use a Phillips Head Screwdriver to insert the Cam Pin(A) to the Top Panel(C1).  
 Attach the Top Panel(C1) to the Connect Panel(C5,C6) and the Leg(C3,C4). Use a  
 Phillips Head Screwdriver to turn the Cam Lock (A) to lock into the head of the Cam Pin(A).

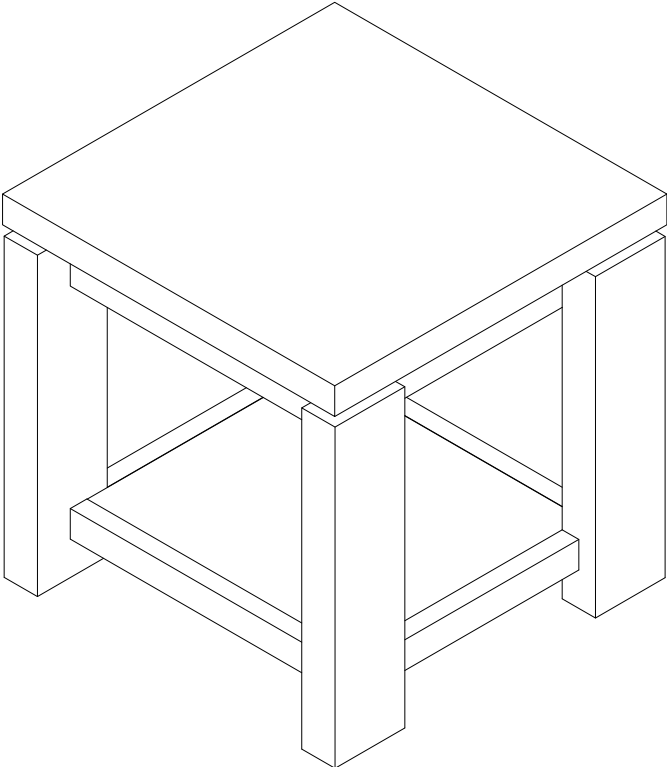


**74779**

STEP 9: Attach the Protect Foam(G) to the bottom of the Legs(C3,C4).



**Assembly is complete**



## PRODUCT CARE:

To protect your furniture, we suggest the following:

- Avoid placing your furniture in direct sunlight.
- Do not place furniture directly under windows.
- Do not place sharp materials (knife, fork, etc.) directly onto your furniture as sharp material may scrape and damage the finish.
- Do not place material with high temperature directly onto the surface of your furniture.
- Clean up spills quickly. Water left over a prolonged period of time may cause damage. Alcohol, perfume, nail polishes, aftershave and some medication may cause severe finish damage if not cleaned immediately.
- Use a clean, soft, dry, lint free absorbent cloth to clean your furniture. Do not use any detergent as they may contain ingredients that may react and damage the finish.
- NOTE: If the above care advise is not adhered to your product warranty may become void